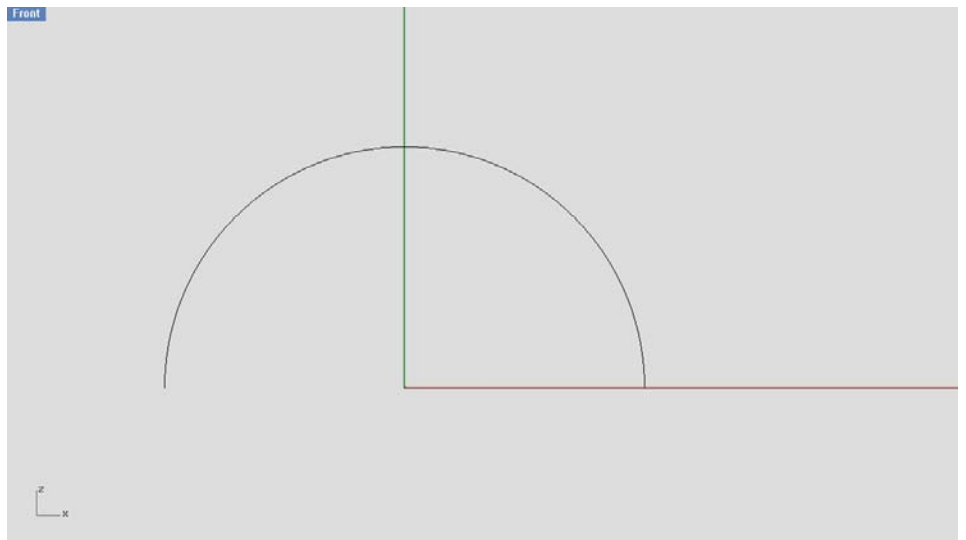
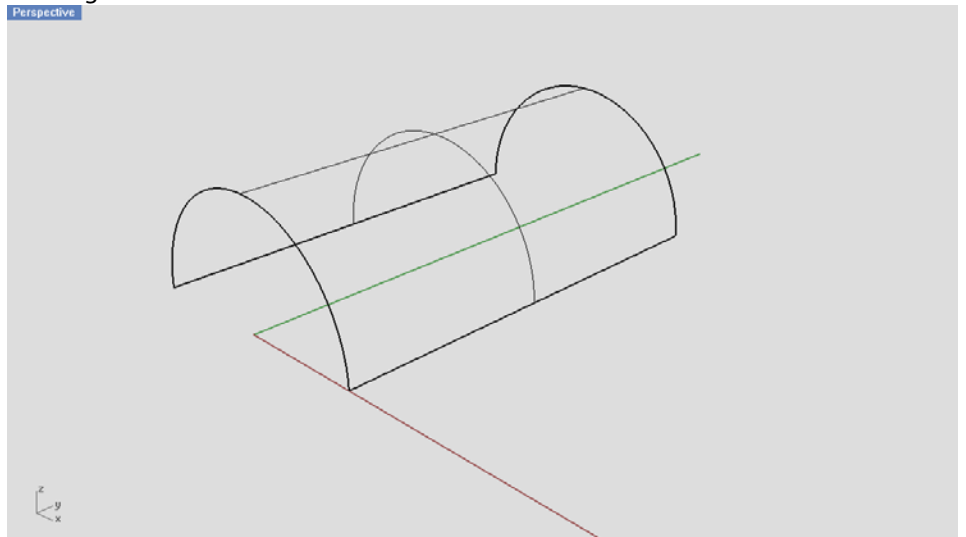


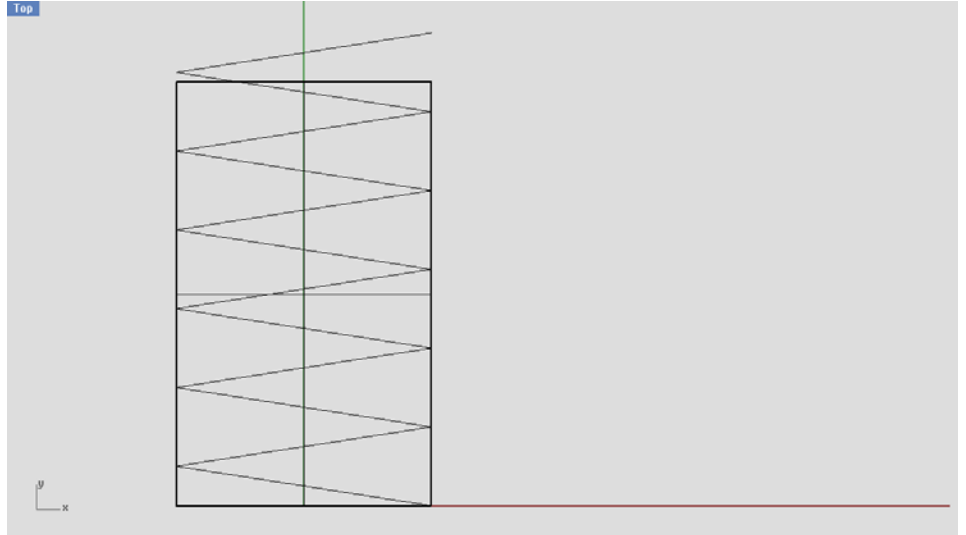
Tutorial 1- Basic Zollinger



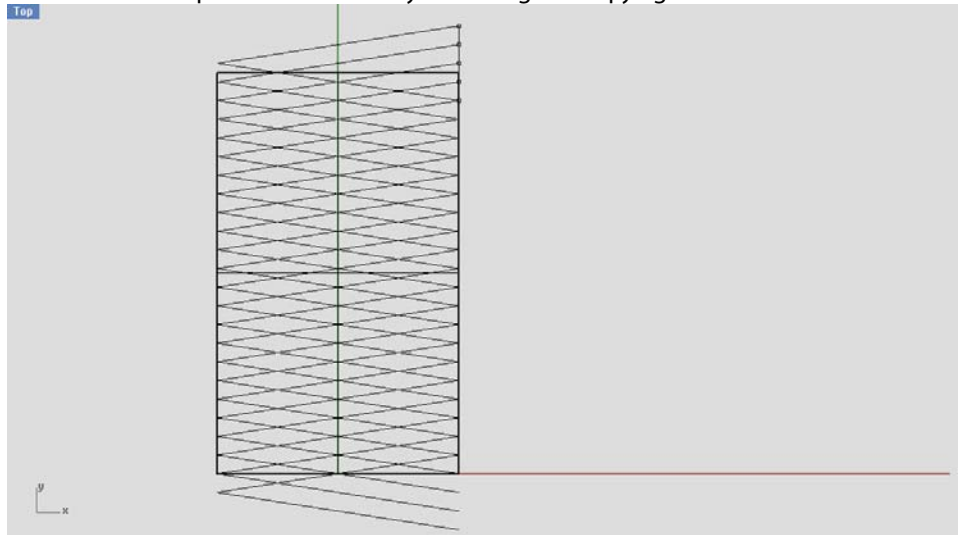
Drawing of basic section with arc



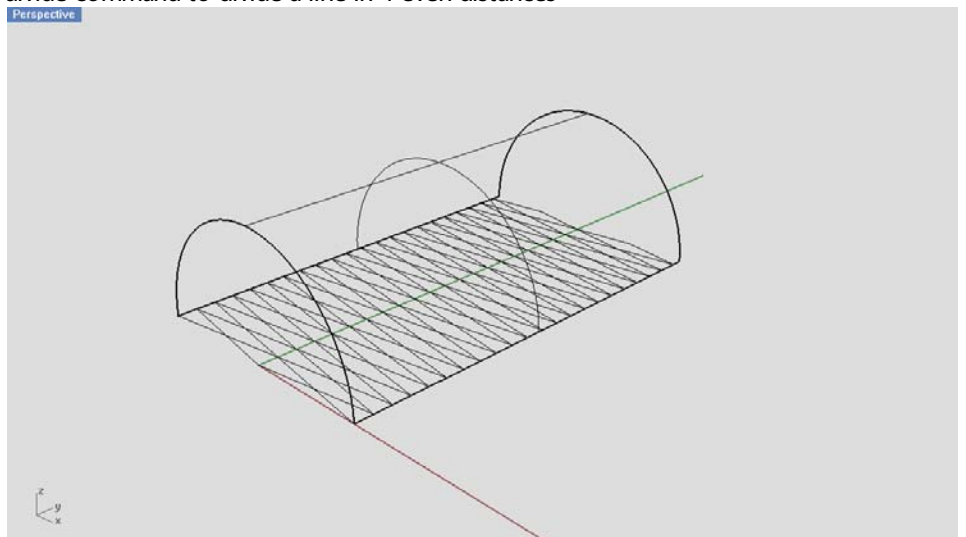
Extrusion of surface



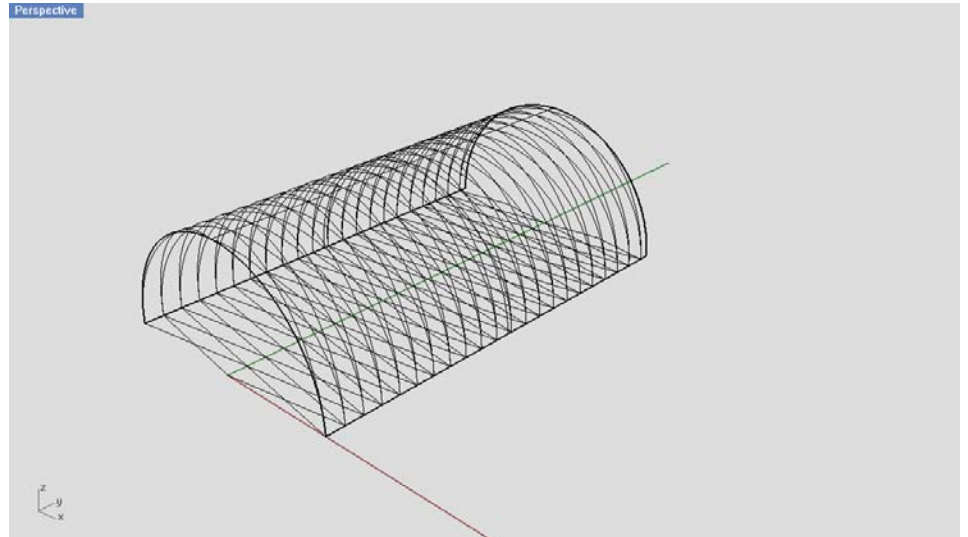
Creation of basic pattern with lines by mirroring and copying



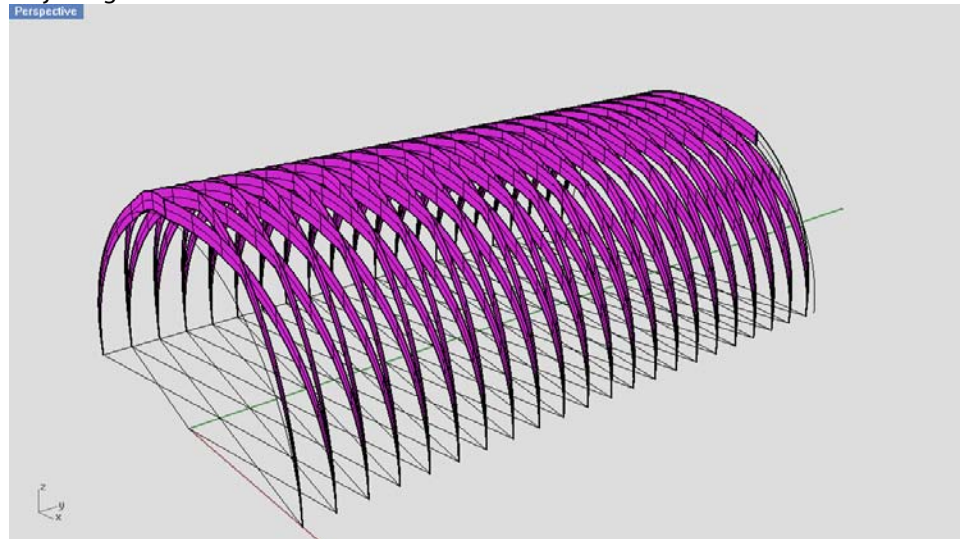
Copying by the basic V by a fourth of the distance between the bottom point. Using the divide command to divide a line in 4 even distances



cleaning up in the ground plane



Projecting the lines to the surface



extruding the lines with extrudecv command

